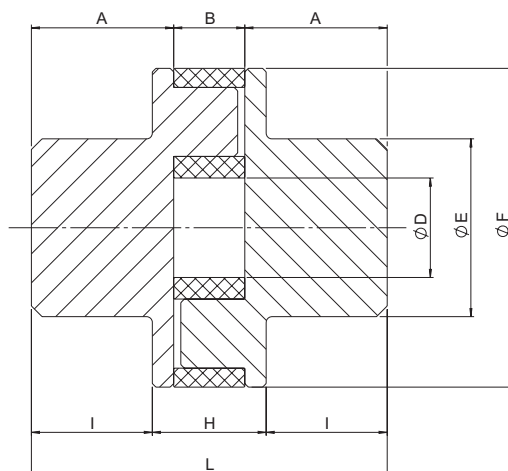


“P” elastic coupling

Hubs made in brass and spider in rubber. Suitable for low power.



Size	A [mm]	B [mm]	D [mm]	E [mm]	F [mm]	H [mm]	I [mm]	L [mm]	T _{KN} [Nm]	T _{Kmax} [Nm]
P 35	18	7	12	20	35	12	15	43	5	10
P 45	20	10	14	25	45	16	17,5	51	10	20

Misalignment

Size	Δk_a [mm]	Δk_r [mm]	Δk_w [°]
P 35	1	0,25	2
P 45	1	0,25	2

Highest misalignment values cannot simultaneously act on the hub.

Order form

Hub **GOMP 35**

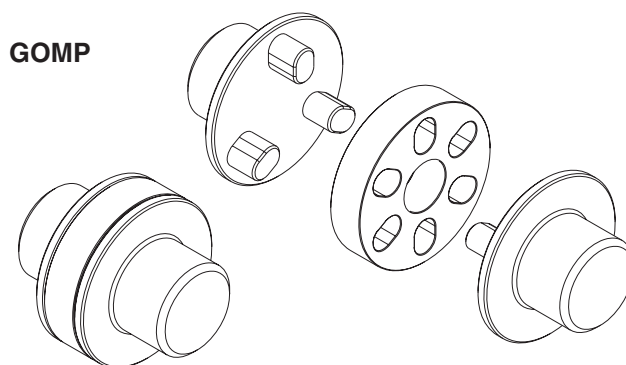
GOMP: “P” hub

Size

Spider **AO 16**

AO: spider

Size



T _{KN}	Coupling nominal torque	Nm
T _{Kmax}	Coupling maximum torque	Nm
Δk_a	Maximum axial misalignment	mm
Δk_r	Maximum radial misalignment	mm
Δk_w	Maximum angular misalignment	°