

Standard type

SIT coupling hubs are available from stock with either solid hub or with finished bores of standard shaft diameters. The setscrews of our finished bore execution are positioned 120 degrees from each other with one positioned 180 degrees from

the keyway. Both the solid hub and bored hub coupling are generally available from stock for quick delivery. **Approved according to EC standard ATEX 94/9/EC.**

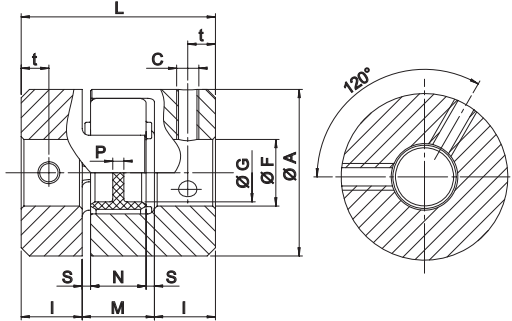


Fig. 1

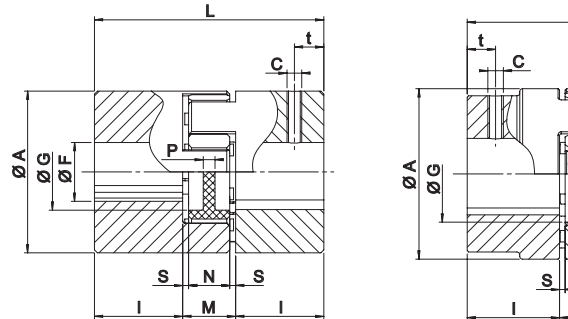


Fig. 2

Size	F min [mm]	F max [mm]	Hub		n _{max} [min ⁻¹]
			W [kg]	J [kgm ²]	
ALUMINUM HUBS					
7	3	7	0,003	0,085 x 10 ⁻⁶	40.000
9	4	9	0,009	0,49 x 10 ⁻⁶	28.000
14	4	15	0,020	2,8 x 10 ⁻⁶	19.000
19/24	6	24	0,066	20,4 x 10 ⁻⁶	14.000
24/28	8	28	0,132	50,8 x 10 ⁻⁶	10.600
28/38	10	38	0,253	200,3 x 10 ⁻⁶	8.500
38/45	12	45	0,455	400,6 x 10 ⁻⁶	7.100
STEEL HUBS					
42	14	55	2,000	2.246 x 10 ⁻⁶	6.000
48	20	60	2,520	3.786 x 10 ⁻⁶	5.600
55	25	70	4,100	9.986 x 10 ⁻⁶	5.000
65	25	80	5,900	18.352 x 10 ⁻⁶	4.600
75	30	95	6,900	27.464 x 10 ⁻⁶	3.700

A [mm]	G [mm]	L [mm]	I [mm]	M [mm]	N [mm]	S [mm]	P [mm]	c	M _s [Nm]	t [mm]	Fig.
ALUMINUM HUBS											
14	-	22	7	8	6	1,0	6,0	M3	0,3	3,5	1
20	7,2	30	10	10	8	1,0	2,0	M3	0,3	5	1
30	11	35	11	13	10	1,5	2,0	M4	1,5	5	2
40	18,5	66	25	16	12	2,0	3,5	M5	2	10	2
55	27,5	78	30	18	14	2,0	4,0	M5	2	10	2
65	30	90	35	20	15	2,5	5,2	M6	4	15	2
80	38,5	114	45	24	18	3,0	5,6	M8	10	15	2
STEEL HUBS											
95	46	126	50	26	20	3,0	5,6	M8	10	20	2
105	51	140	56	28	21	3,5	6,0	M8	10	25	2
120	60	160	65	30	22	4,0	9,0	M10	17	20	2
135	68	185	75	35	26	4,5	8,3	M10	17	20	2
160	80	210	85	40	30	5,0	8,3	M10	17	25	2

Bore tolerance: H7 - JS9 (DIN 6885/1) keyway

Order form

Hub **GESF 24/28 F20**

GESP: solid hub
GESF: bore + keyway + set-screw

Size _____

F...: bore diameter _____

Spider **AES 24/28 R**

TRASCO® ES spider

Size _____

B: 80 Sh A (blue)
G: 92 Sh A (yellow)
R: 98 Sh A (red)
V: 64 Sh D (green)

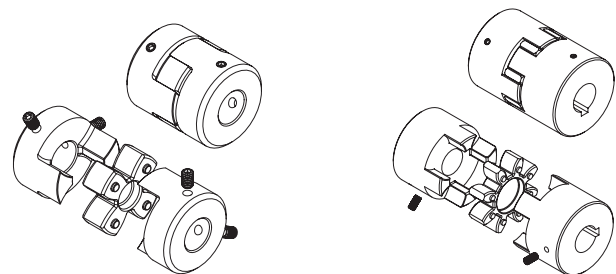


Fig. 1

Fig. 2

M _s	Screw tightening torque	Nm
W	Weight	kg
J	Moment of inertia	kgm ²
n _{max}	Maximum rpm	min ⁻¹